

R BAS G

REGENCY Tap Range Regency Mono Basin Mixer With Pop Up Waste Gold



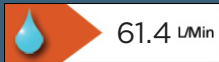
Specification

Product Type:	Bathroom Tap
Main Construction Material:	Brass
Mount Type:	Deck Mounted
Handle Type:	Crosshead Handles
Connection Inlet:	M12 x 15mm Screw-In Copper Pipes
Connection Outlet:	N/A
Number of Tap Holes:	1
Valve/Cartridge Type:	1/2" Standars Valve
Plumbing System Requirements:	All - Ideally Balanced
Working Pressure Range:	Min. 0.2 Bar - Max. 8.0 Bar
Maximum Hot Water Temperature: °C	65
Maximum Static Pressure: (bar)	10

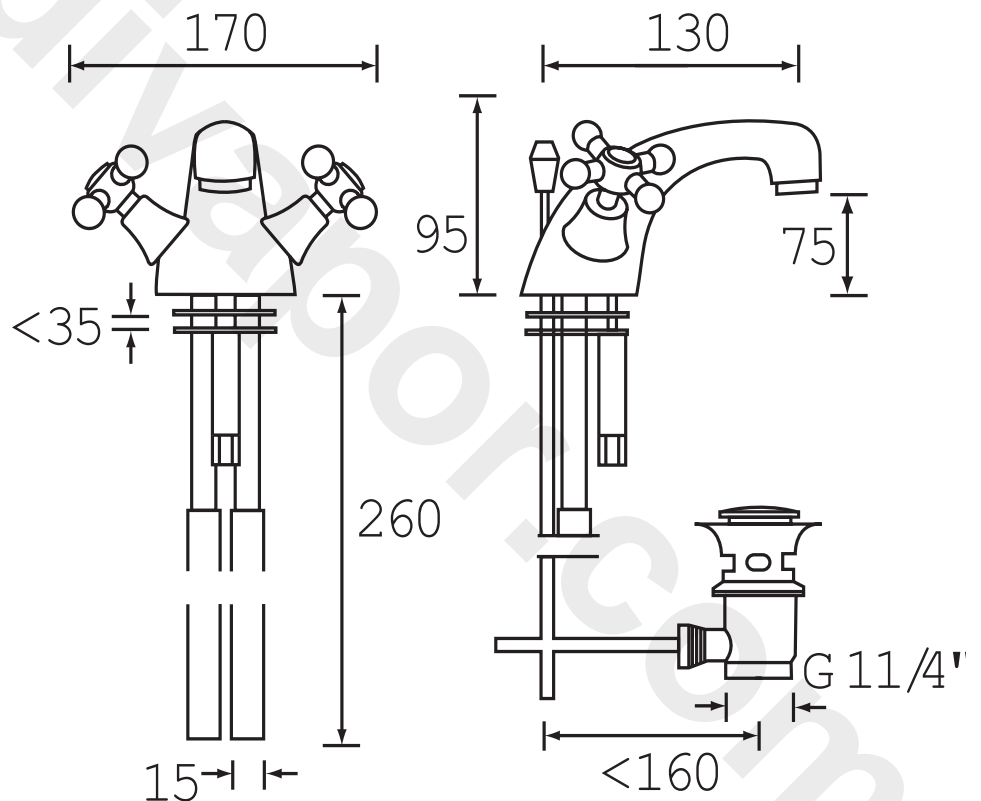
Features:

- Metal fixing nut for added durability
- Pop-up waste included

Product Certifications:



Dimensions (measurements in mm)



Flow Rates (l/min)

System Pressure (bar)	0.2	0.5	1	2	3	5
R BAS G	14.4	24.2	35	50	61.4	79.1

For more products, visit our website:
<http://www.bristan.com>



TECHNICAL
DATA
SHEET



BRISTAN

D4